



Our Multijector Vacuum Pumps of the G- and GL-series are **four-stage ejectors** and offer an even better efficiency especially at free aspiration and low vacuum. They consist of a light and nevertheless tough modular Aluminium design. As usual for Multijectors, also this pump family can be installed easily: Just connect compressed air- and vacuum line, that's all.

The G- and GL-series are our top-models for fast evacuation of big volumes and for achieving high suction performance, e. g. for evacuation of casting-, press- and deep-drawing moulds, for vacuum conveying, for suction of abrasives and handling of heavy parts with high leakage risks. Also in the graphical and printing industries they are used successfully - not only for creation of vacuum but often also for fanning out and seperating paper sheets.

MULTIJECTOR® G – the optimum if 6 bar operating pressure are available because they are the most efficient.

MULTIJECTOR® GL – the safe choice at low operating pressure or if strong pressure variations have to be taken into account because they achieve their maximum vacuum at only 3.5 bar inlet pressure.

Standard delivery features

All Multijector G- and GL-types are equipped with vacuum- and pressure-gauge a well as with integrated valve and hand switch for turning the pump ON/OFF manually. Furthermore a direct remote control of this Multijector can be done via mini-couplings by a pneumatic signal, only control air is needed. The pump is supplied with an integrated silencer.

Order options

Suitable vacuum flanges are delivered together with the pump if you choose the order option FL. Please order the pump variant with exhaust air adaptor (order option AA) if the exhaust air shall be drawn off centrally. The optionally integrated vacuum non return valve prevents system vacuum leakage by back-flow through the pump when it is switched off so that the vacuum is held longer (order option H). G-types with Viton gaskets can be ordered with the option V.

Test Pumps can be sent to you for trials and approval.



Type	op. comp. air pres. consump.		Suction air flow (in NI/min) at the respective Vacuum (in mbar)								
	bar	NI/min	0	-100	-200	-300	-400	-500	-600	-700	-800
G 360	5.5	344	1960	870	548	306	185	136	87	48	25
G 540	5.5	516	2744	1305	822	459	278	204	131	72	38
G 720	5.5	688	3250	1740	1096	612	369	272	173	96	51
G 900	5.5	860	4063	2175	1370	765	461	340	216	120	64
G 1260	5.5	1204	5688	3045	1918	1071	646	476	303	168	89
G 1800	5.5	1720	8125	4350	2740	1530	923	680	433	240	127
G 2700	5.5	2580	12188	6525	4110	2295	1384	1020	649	360	191
G 3600	5.5	3440	16250	8700	5480	3060	1845	1360	865	480	254
G 4500	5.5	4300	20313	10875	6850	3825	2306	1700	1081	600	318
GL 200	3.5	200	916	389	228	99	80	65	48	27	6
GL 300	3.5	300	1373	584	341	148	120	98	72	41	9
GL 400	3.5	400	1831	778	455	197	160	131	95	53	13
GL 500	3.5	500	2288	972	568	246	200	164	119	66	16
GL 700	3.5	700	3203	1361	795	344	280	230	167	92	22
GL 1000	3.5	1000	4576	1944	1136	492	400	327	238	133	31
GL 1500	3.5	1500	6864	2916	1704	738	600	491	357	199	47
GL 2000	3.5	2000	9152	3888	2272	984	800	654	476	265	63
GL 2500	3.5	2500	11440	4860	2840	1230	1000	818	595	332	79

Type	max. Vacuum		Time in Seconds to evacuate a 1 m³ volume from atmospheric pressure to stated vacuum level (in mbar)								
	bar	mbar	-100	-200	-300	-400	-500	-600	-700	-800	-900
G 360	5.5	-910	2.5	9.5	23	46	80	136	244	444	1271
G 540	5.5	-910	1.7	6.3	15	31	53	91	163	296	847
G 720	5.5	-910	1.3	4.8	11	23	40	68	122	222	636
G 900	5.5	-910	1.0	3.8	9	18	32	54	98	178	508
G 1260	5.5	-910	0.7	2.7	6	13	23	39	70	127	363
G 1800	5.5	-910	0.5	1.9	5	9	16	27	49	89	254
G 2700	5.5	-910	0.3	1.3	3	6	11	18	33	59	169
G 3600	5.5	-910	0.3	1.0	2	5	8	14	24	44	127
G 4500	5.5	-910	0.2	0.8	2	4	6	11	20	36	102
GL 200	3.5	-910	6.5	21.0	56	116	190	299	494	1158	5193
GL 300	3.5	-910	4.3	14.0	37	77	127	199	329	772	3462
GL 400	3.5	-910	3.3	10.5	28	58	95	150	247	579	2597
GL 500	3.5	-910	2.6	8.4	22	46	76	120	198	463	2077
GL 700	3.5	-910	1.9	6.0	16	33	54	85	141	331	1484
GL 1000	3.5	-910	1.3	4.2	11	23	38	60	99	232	1039
GL 1500	3.5	-910	0.9	2.8	7	15	25	40	66	154	692
GL 2000	3.5	-910	0.7	2.1	6	12	19	30	49	116	519
GL 2500	3.5	-910	0.5	1.7	4	9	15	24	40	93	415

General data G+GL series

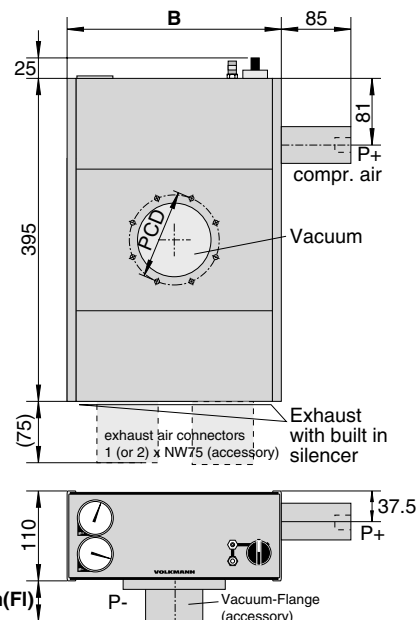
Vacuum: max. 91 % (-910 mbar)
 Suction air flow: 700 to 21000 NI/min
 Operat. pressure: 2 to 6 bar
 G-Types opt. 5.6 bar
 GL-Types opt. 3.5 bar
 Operating noise: 55 to 80 dB(A)
 Oper. temp. range: -20 to +60 °C
 Materialis: Aluminium, Stainless Steel, Polyethylene-HD, brass, Nitrile, Silicone-free

Order options

with flange: Model No. + FL
 with Viton-gaskets/flaps: Model No. + V
 with exhaust air adaptor: Model No. + AA
 with vacuum non return valve: Model No. + H

Order example

Multijector G 1800 with flange and Viton-gaskets = Model No. 110.248FLV



More detailed information can be found on the last double-pages of this catalogue.

Type	Model No.	width B	weight	compressed air supply P+	vacuum connect. screw hole circle PCD	vacuum flange (accessory)	flange height h(FI)	exhaust-air adaptor (accessory)
G 360	110.244	127 mm	5.5 kg	BSP 1/2"	8 x M5 with PCD 80	BSP 1 1/2"	39 mm	1 x Ø 75
G 540	110.254	127 mm	5.6 kg	BSP 1/2"	8 x M5 with PCD 80	BSP 1 1/2"	39 mm	1 x Ø 75
G 720	110.245	127 mm	5.7 kg	BSP 1/2"	8 x M5 with PCD 80	BSP 1 1/2"	39 mm	1 x Ø 75
G 900	110.246	150 mm	6.2 kg	BSP 3/4"	8 x M5 with PCD 80	BSP 1 1/2"	39 mm	1 x Ø 75
G 1260	110.247	195 mm	7.3 kg	BSP 3/4"	8 x M5 with PCD 110	BSP 2"	49 mm	1 x Ø 75
G 1800	110.248	262 mm	9.0 kg	BSP 3/4"	8 x M5 with PCD 110	BSP 2"	49 mm	1 x Ø 75
G 2700	110.249	375 mm	11.7 kg	BSP 1"	8 x M6 with PCD 160	BSP 2 1/2"	49 mm	1 x Ø 75
G 3600	110.250	487 mm	14.4 kg	BSP 1"	8 x M6 with PCD 160	BSP 2 1/2"	49 mm	2 x Ø 75
G 4500	110.251	600 mm	17.3 kg	BSP 1"	8 x M6 with PCD 160	BSP 2 1/2"	49 mm	2 x Ø 75
GL 200	110.315	127 mm	5.5 kg	BSP 1/2"	8 x M5 with PCD 80	BSP 1 1/2"	39 mm	1 x Ø 75
GL 300	110.325	127 mm	5.6 kg	BSP 1/2"	8 x M5 with PCD 80	BSP 1 1/2"	39 mm	1 x Ø 75
GL 400	110.316	127 mm	5.7 kg	BSP 1/2"	8 x M5 with PCD 80	BSP 1 1/2"	39 mm	1 x Ø 75
GL 500	110.317	150 mm	6.2 kg	BSP 1/2"	8 x M5 with PCD 80	BSP 1 1/2"	39 mm	1 x Ø 75
GL 700	110.318	195 mm	7.3 kg	BSP 3/4"	8 x M5 with PCD 110	BSP 2"	49 mm	1 x Ø 75
GL 1000	110.319	262 mm	9.0 kg	BSP 3/4"	8 x M5 with PCD 110	BSP 2"	49 mm	1 x Ø 75
GL 1500	110.320	375 mm	11.7 kg	BSP 3/4"	8 x M6 with PCD 160	BSP 2 1/2"	49 mm	1 x Ø 75
GL 2000	110.321	487 mm	14.4 kg	BSP 1"	8 x M6 with PCD 160	BSP 2 1/2"	49 mm	2 x Ø 75
GL 2500	110.322	600 mm	17.3 kg	BSP 1"	8 x M6 with PCD 160	BSP 2 1/2"	49 mm	2 x Ø 75